

AC1-27 INSTRUCTION FOR USE

Thank you for having chosen a LAE electronic product. Before installing the instrument, please read these instructions carefully to ensure maximum performance and safety.

DESCRIPTION

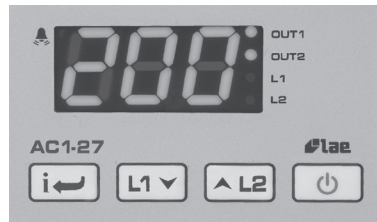


Fig.1 - Front panel

INDICATION

- OUT1** Channel 1 output
- OUT2** Channel 2 output
- L1** Channel 1 setpoint modification
- L2** Channel 2 setpoint modification
- ALM** Alarm
- Info / Enter button** (I)
- Modify Setpoint 1 / Decrease button** (L1)
- Increase / Modify Setpoint 2 button** (L2)
- Exit / Stand-by button** (X)

INSTALLATION

- Insert the controller through a hole measuring 71x29 mm.
- Make sure that electrical connections comply with the paragraph "wiring diagrams". To reduce the effects of electromagnetic disturbance, keep the sensor and signal cables well separate from the power wires.
- Fix the controller to the panel by means of the suitable clips, by pressing gently; if fitted, check that the rubber gasket adheres to the panel perfectly, in order to prevent debris and moisture infiltration to the back of the instrument.
- Place the probe T1 inside the room in a point that truly represents the temperature of the stored product.

OPERATION

DISPLAY

During normal operation, the display shows either the temperature measured or one of the following indications:

OFF Controller in stand-by	TUN/xx.x Controller in autotuning
OR Probe T1 overrange or failure	E1 In tuning: timeout1 error
HI Room high temperature alarm	E2 In tuning: timeout2 error
LO Room low temperature alarm	E3 In tuning: overrange error

MENU INFO

The information available in this menu is:

THI Maximum temperature recorded	LOC Keypad state lock
TLO Minimum temperature recorded	

Access to menu and information displayed.

- Press and immediately release button (I).
- With button (L1) or (L2) select the data to be displayed.
- Press button (I) to display value.
- To exit from the menu, press button (X) or wait for 10 seconds.

Reset of THI, TLO recordings

- With button (L1) or (L2) select the data to be reset.
- Display the value with button (I).
- While keeping button (I) pressed, use button (X).

CHANNEL 1 SETPOINT (display and modification of desired temperature value)

- Press and release button (L1): the LED L1 blinks, the display shows 1SP for 1 second and then the setpoint associated value.
- Press buttons (L1) or (L2) to set the desired value (adjustment is within the minimum SPL and maximum SPH limit).
- To store the new value press button (I) or wait for 10 seconds.
- To go back to normal mode without saving the new value, press (X).

CHANNEL 2 SETPOINT

- With the auxiliary output set as thermostat control (OAU=THR), it's possible to modify setpoint 2 during the normal operation of the controller.
- Press and release button (L2): the LED L2 blinks, the display shows 2SP for 1 second if setpoint 2 is an absolute threshold (2SM=ABS), alternatively the display shows 2DF, if setpoint 2 is a threshold relative to setpoint 1 (2SM=REL), then the value associated to the parameter appears.
- Press buttons (L1) or (L2) to set the desired value.
- To store the new value press button (I) or wait for 10 seconds.
- To go back to normal mode without saving the new value, press (X).

STAND-BY

Button (X), when pressed for 3 seconds, allows the controller to be put on a standby or output control to be resumed (with SB=YES only).

KEYPAD LOCK

The keypad lock avoids undesired, potentially dangerous operations, which might be attempted when the controllers is operating in a public place. In the INFO menu, set parameter LOC=YES to inhibit all functions of the buttons. To resume normal operation of keypad, adjust setting so that LOC=NO.

CONTROLLER AUTOTUNING IN PID MODE

Before starting

In the setup mode (see configuration parameters): set 1CM=PID; make sure that 1CH matches the desired operation mode (1CH=REF for refrigerating control, 1CH=HEA for heating control); then adjust setpoint 1SP at the desired value.

Start autotuning

During normal operation, keep buttons (I) + (L1) pressed for 3 seconds. 1CT blinks on the display. With (I) + (L1) or (L2) set the cycle time in order to define the dynamic of the process to be controlled. To abort the autotuning function, press (X); to start autotuning press (I) + (L1) or wait for 30 seconds.

During autotuning

During the entire autotuning phase, the display alternates TUN with the actual temperature measured. In case of power failure, when power is resumed, after the initial autotest phase, the controller resumes the autotuning function. To abort the autotuning, without modifying the previous control parameters, keep button (X) pressed for 3 seconds. After the autotuning has taken place successfully, the controller updates the control parameters and start to control.

Errors

If the autotuning function failed, the display shows an error code:

- E1 timeout1 error: the controller could not bring the temperature within the proportional band. Increase 1SP in case of heating control, vice versa, decrease 1SP in case of refrigerating control and re-start the process.
- E2 timeout2 error: the autotuning has not ended within the maximum time allowed (1000 cycle times). Re-start the autotuning process and set a longer cycle time 1CT.
- E3 temperature overrange: check that the error was not caused by a probe malfunction, then decrease 1SP in case of heating control, vice versa increase 1SP in case of refrigerating control and then re-start the process.
- To eliminate the error indication and return to the normal mode, press button (X).

Control improvement

- To reduce overshoot, reduce the integral action reset 1AR
- To increase the response speed of the system, reduce the proportional band 1PB. Caution: doing this makes the system less stable.
- To reduce swings in steady-state temperature, increase the integral action time 1IT; system stability is thus increased, although its response speed is decreased.
- To increase the speed of response to the variations in temperature, increase the derivative action time 1DT. Caution: a high value makes the system sensitive to small variations and it may be a source of instability.

RECALIBRATION

- Have a precision reference thermometer or a calibrator to hand. Ensure that OS1=0 and SIM=0.
- Switch the controller off then on again.
- During the auto-test phase, press buttons (I) + (L1) and keep them pressed till the controller shows 0AD.
- With buttons (L1) and (L2) select 0AD or SAD: 0AD allows a calibration of 0, inserting a constant correction over the whole scale of measurement. SAD allows a calibration of the top part of the measurement scale with a proportional correction between the calibration point and 0.
- Press (I) to display the value and then use (I) + (L1) or (L2) to make the read value coincide with the value measured by the reference instrument.
- Exit from calibration by pressing button (X).

CONFIGURATION PARAMETERS

- To get access to the parameter configuration menu, press button (X) + (I) for 5 seconds.
- With button (L1) or (L2) select the parameter to be modified.
- Press button (I) to display the value.
- By keeping button (I) pressed, use button (L1) or (L2) to set the desired value.
- When button (I) is released, the newly programmed value is stored and the following parameter is displayed.
- To exit from the setup, press button (X) or wait for 30 seconds.

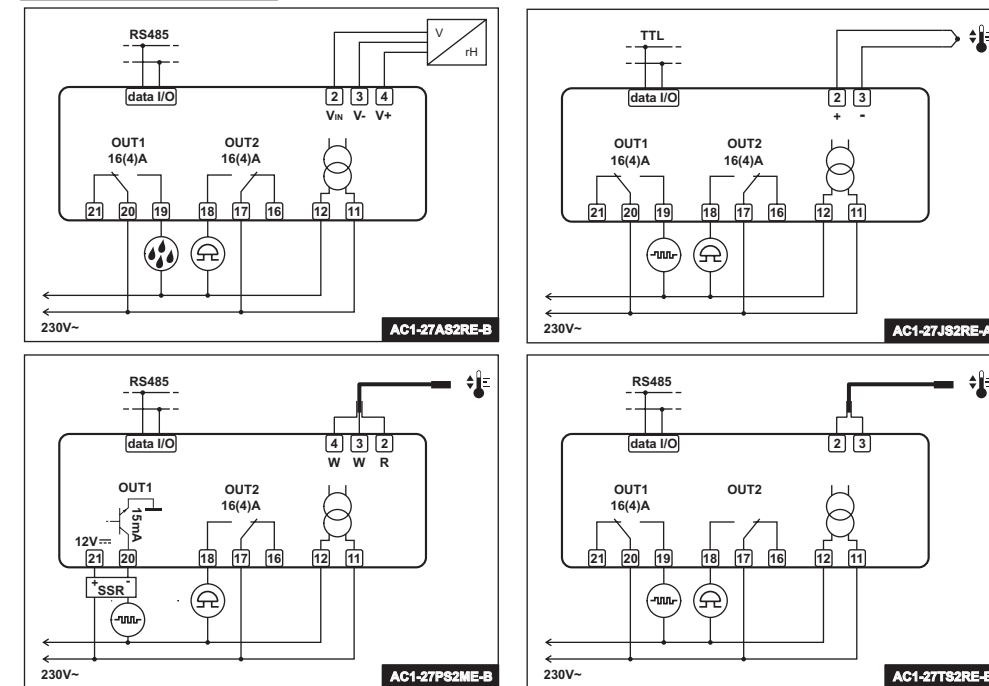
PAR	RANGE	DESCRIPTION	
SCL	1°C; 2°C; °F	Readout scale (see table of input specifications) <i>Caution: upon changing the SCL value, it is then absolutely necessary to reconfigure the parameters relevant to the absolute and relative temperatures (SPL, SPH, 1SP, 1HY etc..)</i>	
SPL	-50°...SPH	Minimum limit for 1SP setting	
SPH	SPL...150°	Maximum limit for 1SP setting.	
1SP	SPL... SPH	Setpoint (value to be maintained in the room).	
1CM	HY; PID	Control mode. With 1CM=HY you select control with hysteresis: parameters 1HY, 1T0 and 1T1 are used. With 1CM=PID you select a Proportional-Integral-Derivative control mode: parameters 1PB, 1IT, 1DT, 1AR, 1CT will be used	
1CH	REF; HEA	Refrigerating (REF) or Heating (HEA) control mode.	
1CM=HY	1HY	0...19.9° OFF/ON thermostat differential. With 1HY=0 the output is always off. 	
	1T0	0...30min Minimum off time. After output 1 has been turned off, it remains inactive for 1T0 minutes regardless of the temperature value measured.	
	1T1	0...30min Minimum on time. (the following parameter will be 1PF). After output 1 has been turned on, it remains active for 1T1 minutes regardless of the temperature value measured.	
1CM=PID	1PB	0...19.9° Proportional bandwidth. Temperature control takes place by changing the ON time of the output: the closer the temperature to the setpoint, the less time of activation. A small proportional band increases the promptness of response of the system to temperature variations, but tends to make it less stable. A purely proportional control stabilises the temperature within the proportional band but does not cancel the deviation from setpoint. With 1PB=0 the output is always off. 	
	1IT	0...999s Integral action time. The steady-state error is cancelled by inserting an integral action. The integral action time, determines the speed with which the steady-state temperature is achieved, but a high speed (1IT low) may be the cause of overshoot and instability in the response. With 1IT=0 the integral control is disabled. 	
	1DT	0...999s Derivative action time. Response overshoot may be reduced by inserting a derivative Action. A high derivative action (1DT high) makes the system very sensitive to small temperature variations and causes instability. With 1DT=0 the derivative control is disabled. 	
	1AR	0...100% Reset of integral action time referred to 1PB Decreasing the parameter 1AR reduces the integral control action zone, and consequently the overshoot (see figure on paragraph 1IT).	
	1CT	1...255s Cycle time. It's the period in which the output ON time changes. The quicker the system to be controlled reacts to temperature variations, the smaller the cycle time must be, in order to obtain higher temperature stability and less sensitivity to load variations.	
1PF	ON/OFF	Output state in case of probe failure.	
OAU	NON; THR; AL0; AL1	AUX output operation. NON : output disabled (always off). (the next parameter will be ATM) THR: output programmed for second thermostat control (the next parameter will be 2SM). AL0: contacts open when an alarm condition occurs (the next parameter will be ATM). AL1: contacts make when an alarm condition occurs (the next parameter will be ATM).	
OAU=THR	2SM	ABS; REL	Setpoint 2 mode. Channel 2 setpoint may be absolute (2SM=ABS), or a differential relative to setpoint 1 (2SM=REL).
	2SP	SPL...SPH	Auxiliary output switchover temperature (the next parameter will be 2CH)
		-19.9...19.9°	Temperature differential relative to 1SP. The auxiliary output setpoint is equal to 1SP+2DF

OAU=THR	2CH	REF; HEA	Refrigerating control (REF) or heating control mode (HEA) for the auxiliary output.
	2HY	0...19.9°	Differential of thermostat 2. With 2HY=0 the auxiliary output always remains off.
	2T0	0...30min	Minimum off time. After output 2 has been turned off, it remains inactive for 2T0 minutes regardless of the temperature value measured.
	2T1	0...30min	Minimum on time. After output 2 has been turned on, it remains active for 2T1 minutes regardless of the temperature value measured.
	2PF	ON/OFF	Auxiliary output state in case of probe failure.
ATM	NON; ABS; REL	Alarm threshold management. NON: all temperature alarms are inhibited (the following parameter will be SB). ABS: the values programmed in ALA and AHA represent the real alarm thresholds. REL: the values programmed in ALR and AHR are alarm differentials referred to 1SP and 1SP+1HY. 	
	ALA	-50°...AHA	Low temperature alarm threshold.
ATM=ABS	AHA	ALA...150°	High temperature alarm threshold.
	ATM=REL	ALR	-12.0...0°
AHR		0...12.0°	High temperature alarm differential. With AHR=0 the high temperature alarm is excluded
ATD	0...120min	Delay before alarm temperature warning.	
SB	NO/YES	Stand-by button enabling.	
INP	0mA/4mA, T1/T2 ST1/SN4	Sensor input selection (see table of input specifications). <i>In the models AC1-27A..., AC1-27J..., AC1-27T... only.</i>	
	RLO	-19.9...RHI	Minimum range value (in the models AC1-27A..., AC1-27T... only) RLO takes the minimum value measured by the transmitter (i.e. the value matching 0V, 0/4mA).
RHI	RLO...99.9	Maximum range value (in the models AC1-27A..., AC1-27T... only) RHI takes the maximum value measured by the transmitter (i.e. the value matching 1V, 20mA)	
	OS1	-12.5...12.5°	Probe T1 offset.
TLD	1...30min	Delay for minimum temperature (TLO) and maximum temperature (THI) logging.	
SIM	0...100	Display slowdown	
ADR	1...255	AC1-27 address for PC communication	

INPUT SPECIFICATIONS

MODEL	INPUT	RANGE [MEASUREMENT ACCURACY]		
		SCL=1°C	SCL=2°C	SCL=°F
AC1-27A...	0+1V	RLO+RHI [< ± 3mV]		---
AC1-27I...	INP = 0mA	RLO+RHI [< ± 0.2mA]		---
	INP = 4mA	RLO+RHI [< ± 0.2mA]		---
AC1-27J...	INP=T1	---	-50+750°C [< ±3°C]	-60+999°F [< ±5°F]
	INP=T2	---	-50+999°C [< ±3°C]	
AC1-27P...	PT100	-50/-19.9+99.9/150°C [< ±0.3°C]	-100+850°C [< ±1°C(-50+850°), ±2°C]	-150+999°F [< ±2°F(-60+999°), ±4°F]
		INP=ST1	PTC 1000 Ω (LAE ST1...) [-50/-19.9 + 99.9/150°C [< ±0.3°C(-30+130°), ±1°C]	-50 + 150°C [< ±0.3°C(-30+130°), ±1°C]
AC1-27T...	INP=SN4	NTC 10K Ω (LAE SN4...) [-40/-19.9 + 99.9/125°C [< ±0.3°C(-40+100°), ±1°C]	-40 + 125°C [< ±0.3°C(-40+100°), ±1°C]	-40 + 260°F [< ±0.6°F(-40+210°), ±2°F]

WIRING DIAGRAMS



TECHNICAL DATA

Power supply
AC1-27...D 12Vac/dc ±10%, 2W
AC1-27...E 230Vac±10%, 50/60Hz, 2W
AC1-27...U 110Vac±10%, 50/60Hz, 2W

Relay outputs (AC1-27..R..)

OUT1 16(4)A
OUT2 16(4)A

SSR drive (AC1-27..M..)

OUT1 15mA 12Vdc

Inputs

see table of input specifications

Measurement range

see table of input specifications

Measurement accuracy

see table of input specifications

Operating conditions

-10 ... +50°C; 15%...80% r.H.

CE (Reference Norms)

EN60730-1; EN60730-2-9;
EN55022 (Class B); EN50082-1

Front protection

IP55

lae
ELECTRONIC

VIA PADOVA, 25
31046 ODERZO /TV /ITALY
TEL. +39 - 0422 815320
FAX +39 - 0422 814073
www.lae-electronic.com
E-mail: sales@lae-electronic.com

AC1-27 BEDIENUNGSANLEITUNG

Wir danken Ihnen, dass Sie sich für ein Produkt der Firma LAE electronic entschieden haben. Lesen Sie vor der Installation des Gerätes bitte aufmerksam die vorliegende Bedienungsanleitung durch. Nur so können wir Ihnen höchste Leistungen und Sicherheit garantieren.

BESCHREIBUNG

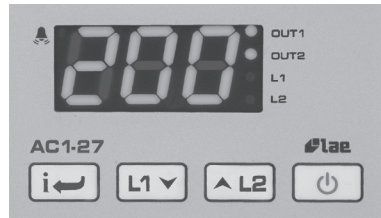


Abb. 1 — Bedienteil

ANGABEN

- OUT1** Ausgang Kanal 1
- OUT2** Ausgang Kanal 2
- L1** Sollwertänderung Kanal 1
- L2** Sollwertänderung Kanal 2
- Alarm
- Taste Info / Enter **L1** Taste für Änderung Sollwert 1 / Down
- Taste Up / für Änderung Sollwert 2 **X** Taste Exit / Stand-by

INSTALLATION

- Das Gerät in eine Bohrung der Abmessungen 71x29 mm einsetzen;
- Die Elektroanschlüsse ausführen (siehe hierzu die "Schaltpläne"). Zur Vermeidung von elektromagnetischen Störungen die Fühler und Signalkabel getrennt von den Starkstromleitern anbringen;
- Das Gerät mit den beiliegenden Halterungen an der Tafel mit leichtem Druck befestigen; falls vorhanden muss die Gummidichtung zwischen Geräteraumen und Tafel angebracht werden. Auf die korrekte Positionierung achten, um das geräterückseitige Eindringen von Flüssigkeiten zu vermeiden;
- Den Fühler T1 so in der Zelle positionieren, dass die Konservierungstemperatur des Produktes gut gemessen werden kann.

BETRIEB

DISPLAYANZEIGEN

Im Normalbetrieb zeigt das Display die Messtemperatur oder einen der folgenden Werte an:

OFF Regler-Stillstand	TUN/xx.x Autotuning
OR Over range oder Fühlerdefekt T1	E1 In tuning: Timeout-Fehler 1
HI Übertemperaturalarm in der Zelle	E2 In tuning: Timeout-Fehler 2
LO Untertemperaturalarm in der Zelle	E3 In tuning: Over range-Fehler

INFO-MENÜ

Die im Info-Menü abrufbaren Daten sind:

THI Max. Messtemperatur des Fühlers 1	LOC Tastenzustand (Sperr)
TLO Min. Messtemperatur des Fühlers 1	

Zugriff auf das Menü und Datenanzeige.

- Die Taste **I** drücken und loslassen.
- Mit den Tasten **V** oder **A** die anzuzeigenden Daten wählen.
- Mit der Taste **I** den Wert anzeigen.
- Zum Verlassen des Menüs die Taste **X** drücken oder 10 Sekunden warten.

Reset der gespeicherten Werte THI, TLO

- Mit den Tasten **V** oder **A** den zu resettierenden Wert wählen.
- Mit der Taste **I** den Wert anzeigen.
- Die Taste **I** gedrückt halten und gleichzeitig die Taste **X** drücken.

SOLLWERT KANAL 1 (Anzeige und Änderung des Sollwertes - gewünschter Temperaturwert)

- Die Taste **L1** drücken und loslassen: die LED L1 blinkt; das Display zeigt für 1 Sekunde **1SP** und anschließend den dem Sollwert zugewiesenen Wert an.
- Den gewünschten Wert mit den Tasten **V** oder **A** einstellen (die Regelung muss zwischen der Mindestgrenze **SPL** und Höchstgrenze **SPL** geregelt werden).
- Zur Speicherung des neuen Wertes die Taste **X** drücken oder 10s warten.
- Für die Rückkehr zum Normalbetrieb ohne Speicherung des neuen Wertes **X** drücken.

SOLLWERT KANAL 2

- Mit dem als Thermostat konfigurierten Hilfsausgang (**OAU=THR**), kann der Sollwert 2 während des Normalbetriebs des Reglers geändert werden.
- Die Taste **L2** drücken und loslassen: die LED L2 blinkt; das Display zeigt für 1 Sekunde **2SP** an, falls der Sollwert 1 absolut eingestellt ist (**2SM=ABS**), oder **2DF**, falls der Sollwert 2 relativ zum Sollwert 1 ist (**2SM=REL**), anschließend den dem Parameter zugewiesenen Wert.
- Mit den Tasten **A** oder **V** den gewünschten Wert einstellen.
- Zur Speicherung des neuen Wertes die Taste **X** drücken oder 10s warten.
- Für die Rückkehr zum Normalbetrieb ohne Speicherung des neuen Wertes **X** drücken.

STAND-BY

Die Taste **@** lässt, falls für 3 Sekunden gedrückt, den Regler auf verschiedene Betriebsmodi oder Stand-by umschalten (nur bei **SB=YES**).

TASTENSPERRE

Die Sperre der Tasten verhindert unerwünschte und potenziell schädliche Handlungen, sollte der Regler beispielsweise in einer öffentlich zugänglichen Umgebung positioniert sein. Zur Sperre aller Tastenbefehle den Parameter im INFO-Menü auf **LOC=YES** einstellen; zur Wiederherstellung aller Funktionen den Parameter auf **LOC=NO** setzen.

AUTOTUNING DES REGLERS BEI PID-REGELUNG

Vor dem Beginn

Im Setup-Modus (s. Konfigurationsparameter): **1CM=PID** einstellen; überprüfen, dass **1CH** dem gewünschten Betriebsmodus entspricht (**1CH=REF** für Kühlen, **1CH=HEA** für Heizen); den Sollwert **1SP** auf den gewünschten Wert einstellen.

Start der Funktion

Während des Normalbetriebs die Tasten **I** + **V** für 3 Sekunden gedrückt halten. Auf dem Display blinkt **1CT**; mit **I** + **V** oder **A** die Zykluszeit einstellen, um den Ablauf des Regelprozesses zu bestimmen. Für das Verlassen der Autotuning-Funktion **X** drücken; für den Start der Autotuning-Funktion **V** + **A** drücken oder 30s warten.

Bei der Autotuningsphase

Bei der Autotuning-Phase zeigt das Display abwechselnd "TUN" und den gemessenen Temperaturwert an. Sollte während dieser Phase der Strom ausfallen, startet beim nächsten Einschalten nach der Selbsttestphase das Gerät wieder mit der Autotuning-Funktion. Um die Autotuning-Funktion zu verlassen, ohne dass die vorher programmierten Regelungsparameter modifiziert werden, muss die Taste **X** für 3 Sekunden gedrückt werden. Wird das Autotuning erfolgreich beendet, aktualisiert der Regler den Wert der Regelungsparameter und beginnt mit der Regelung.

Fehler

Wird das Autotuning-Verfahren nicht erfolgreich beendet, blinkt auf dem Display eine Fehlermeldung:

- E1** Timeout-Fehler 1: der Regler war nicht imstande, die Systemtemperatur innerhalb des Bereichs des Proportionalbandes zu bringen. Erhöhen Sie vorübergehend den **1SP**-Wert im Fall des Heizbetriebs, vermindern Sie **1SP** im Fall des Kühlbetriebs und starten Sie das Verfahren neu.
 - E2** Timeout-Fehler 2: das Autotuning-Verfahren wurde nicht innerhalb der maximalen, festgelegten Zeit beendet (1000 Zykluszeiten). Starten Sie das Autotuning-Verfahren neu und stellen Sie eine höhere Zykluszeit **1CT** ein.
 - E3** Over range der Temperatur: kontrollieren Sie, dass der Fehler nicht durch eine Fühleranomalie hervorgerufen wurde; vermindern Sie vorübergehend den **1SP**-Wert im Fall des Heizbetriebs, erhöhen Sie **1SP** im Fall des Kühlbetriebs und starten Sie das Verfahren neu.
 - Zur Beseitigung der Fehlermeldung und zur Rückkehr zum normalen Betriebsmodus drücken Sie die Taste **X**.
- #### Verbesserung der Regelung
- Zur Reduzierung der Überschwingung vermindern Sie den Parameter Reset der Integral-Regelung **1AR**;
 - Zur Erhöhung der Reaktionsfähigkeit des Systems vermindern Sie das Proportionalband **1PB**; Achtung: auf diese Weise verliert das System an Stabilität;
 - Zur Verminderung der Temperaturschwankungen bei Betrieb erhöhen Sie die Zeit der Integralregelung **1IT**; damit wird das System stabiler, aber weniger reaktionsfähig;
 - Zur Erhöhung der Reaktionsgeschwindigkeit auf die Temperaturänderungen erhöhen Sie die Zeit der Derivativ-Regelung **1DT**; Achtung: ein hoher Wert macht das System empfindlich für geringe Änderungen und kann zu Unstabilität führen.

NEUEICHTUNG

- Sich ein Präzisionsthermometer oder ein Kalibriergerät besorgen; Sich vergewissern, dass die Parameter **OS1** und **SIM 0** betragen;
- Das Gerät aus und wieder einschalten;
- Während der Selbsttestphase die Tasten **I** + **A** drücken und gedrückt halten bis der Regler **OAD** anzeigt.

- Mit den Tasten **V** und **A** **OAD** oder **SAD** auswählen: **OAD** ermöglicht die Eichung von 0 und bringt eine konstante Korrektur auf der gesamten Messskala mit sich. **SAD** ermöglicht die Eichung des oberen Teils der Messskala mit einer proportionalen Korrektur zwischen dem Eichpunkt und 0.
- Die Taste **I** drücken um den Wert anzuzeigen; dann die Tasten **I** + **A** oder **V** benutzen, um den gelesenen Wert an den vom Bezugsgerät gemessenen Wert anzugleichen.
- Das Verlassen des Eichverfahrens erfolgt durch Drücken der Taste **X**.

KONFIGURATIONSPARAMETER

Für den Zugriff auf das Konfigurationsmenü die Tasten **X** + **I** für 5 Sekunden drücken.

- Mit den Tasten **V** oder **A** den zu ändernden Parameter wählen.
- Mit der Taste **I** den Wert anzeigen.
- Die Taste **I** gedrückt halten und mit den Tasten **V** oder **A** den gewünschten Wert einstellen.
- Beim Loslassen der Taste **I** wird der neue Wert gespeichert und der nächste Parameter angezeigt.
- Zum Verlassen des Menüs die Taste **X** drücken oder 30 Sekunden warten.

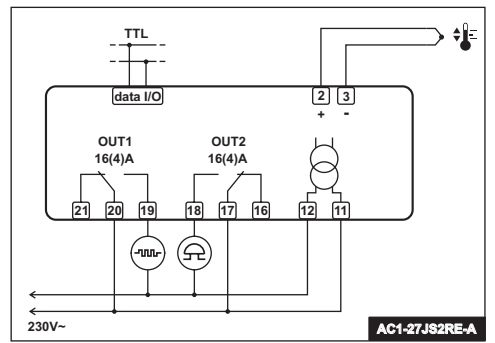
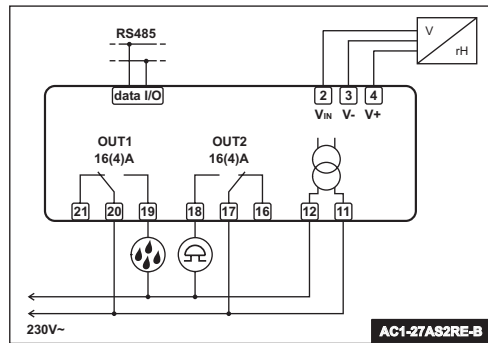
PAR	MESSBER.	BESCHREIBUNG
SCL	1°C; 2°C; °F	Messwerte (s. Tabelle der Eingangsspezifikationen) <i>Achtung: Bei der Änderung des Wertes SCL müssen die Parameter der absoluten und relativen Temperaturen (SPL, SPH, 1SP, 1HY, usw.) unbedingt neu konfiguriert werden.</i>
SPL	-50°...SPH	Mindestgrenzwert für die Regelung von 1SP .
SPH	SPL...150°	Höchstgrenzwert für die Regelung 1SP .
1SP	SPL... SPH	Schalttemperatur (Wert, der in der Zelle beibehalten werden soll).
1CM	HY; PID	Regelungsmodus. Mit 1CM=HY erfolgt die Regelung mit Schalthysterese: in der Regelung werden die Parameter 1HY , 1T0 und 1T1 benutzt. Mit 1CM=PID erfolgt eine Proportional-Integral-Derivativ-Regelung: in der Regelung werden die Parameter 1PB , 1IT , 1DT , 1AR , 1CT benutzt.
1CH	REF; HEA	Kühlmodus (REF) oder Heizmodus (HEA).
1CM=HY	1HY	0...19.9° OFF/ON-Schalthysterese des Thermostaten. Bei 1HY=0 bleibt der Ausgang immer deaktiviert.
	1T0	0...30min Mindestausschaltzeit Nach dem Ausschalten bleibt der Ausgang 1 für 1T0 Minuten deaktiviert, unabhängig vom Temperaturwert
	1T1	0...30min Mindesteinschaltzeit (Der nächste Parameter ist 1PF) Nach dem Einschalten bleibt der Ausgang 1 für 1T1 Minuten aktiviert, unabhängig vom Temperaturwert.
1CM=PID	1PB	0...19.9° Proportionalband. Die Temperaturregelung erfolgt durch Änderung der EIN-Zeit des Ausganges; je näher die Temperatur am Sollwert liegt, desto niedriger ist die Aktivierungszeit. Ein kleines Proportionalband erhöht die Systemreaktion auf die Temperaturvariationen, macht das System jedoch instabiler. Eine reine Proportionalregelung stabilisiert die Temperatur im Proportionalband, annulliert jedoch nicht die Abweichung vom Sollwert. Bei 1PB=0 bleibt der Ausgang immer deaktiviert.
	1IT	0...999s Zeit der Integralregelung. Durch Aktivierung des Integral-Anteils, bei einer Proportionalregelung, wird eine bleibende Sollwertabweichung verhindert. Die Zeit der Integralregelung bestimmt die Geschwindigkeit der Temperaturfehlerannullierung; eine hohe Geschwindigkeit (niedrige 1IT) kann aber zu Überschwingung und Unstabilität der Regelung führen. Mit 1IT=0 wird die Integralregelung deaktiviert.
	1DT	0...999s Zeit der Derivativ-Regelung. Durch Aktivierung des Derivativ - Anteils, bei einer Proportional-Integral Regelung wird ein zu starkes Überschwingen verhindert. Ein Regler mit starker Derivativ-Regelung (hohe 1DT) ist sehr empfindlich für geringe Temperaturänderungen und kann das System instabil machen. Mit 1DT=0 wird die Derivativ-Regelung deaktiviert.
	1AR	0...100% Reset der Integralzeit bezüglich 1PB . Durch die Verkleinerung des Parameters 1AR verkleinert sich auch die Wirkungszone der Integral-Regelung, und die Überschwingung infolgedessen (siehe Bild beim Abschnitt 1IT).
	1CT	1...255s Zykluszeit Die Zeit, in welcher die EIN-Zeit des Ausganges variiert. Je schneller das zu regelnde System auf die Temperaturänderungen anspricht, desto geringer muss die Zykluszeit sein, um eine höhere Temperaturstabilität und eine geringere Empfindlichkeit auf die Laständerungen zu erzielen
1PF	ON/OFF	Ausgangszustand bei einem Fühlerfehler.
OAU	NON; THR; AL0; AL1	Funktion des Hilfsausganges AUX NON: Ausgang deaktiviert (immer ausgeschaltet). (Der nächste Parameter ist ATM). THR: als zweiter Thermostat programmierter Ausgang. (Der nächste Parameter ist 2SM). AL0: Öffnen der Kontakte bei Auftreten einer Alarmbedingung. (Der nächste Parameter ist ATM). AL1: Schließen der Kontakte im Alarmfall. (Der nächste Parameter ist ATM).
OAU=THR 2SM=ABS	2SM	ABS; REL Sollwertmodus 2. Der Sollwert des Kanals 2 kann absolut sein (2SM=ABS) oder eine zum Sollwert 1 relative Schalthysterese (2SM=REL)
	2SP	SPL...SPH Umschalttemperatur des Hilfsausganges (Der nächste Parameter ist 2CH).

OAU=THR 2SM=REL	2DF	-19.9...19.9° Temperaturschalttdifferenz zu 1SP . Der Sollwert des Hilfsausganges ist 1SP+2DF Sollwert 2 relativ zu Sollwert 1
	2CH	REF; HEA Kühlmodus (REF) oder Heizmodus (HEA) für den Hilfsausgang.
	2HY	0...19.9° Schalthysterese Thermostat 2. Bei 2HY=0 bleibt der Hilfsausgang immer deaktiviert.
	2T0	0...30min Mindestausschaltzeit Nach dem Ausschalten bleibt der Ausgang 2 für 2T0 Minuten deaktiviert, unabhängig vom Temperaturwert.
	2T1	0...30min Mindesteinschaltzeit Nach dem Einschalten bleibt der Ausgang 2 für 2T1 Minuten aktiviert, unabhängig vom Temperaturwert.
2PF	ON/OFF	Zustand Kanal 2 mit defektem Fühler
ATM	NON; ABS; REL	Alarmschwellen. NON: Alle Temperaturalarne sind gesperrt (der nächste Parameter ist SB) ABS: Die in ALA und AHA programmierten Werte stellen die effektiven Alarmschwellen dar. REL: Die in ALR und AHR programmierten Werte sind die Alarmdifferenziale für 1SP und 1SP+1HY
ATM=ABS	ALA	-50°...AHA Alarmschwelle für Untertemperatur.
	AHA	ALA...150° Alarmschwelle für Übertemperatur.
ATM=REL	ALR	-12.0...0° Alarmdifferential für Untertemperatur. Bei ALR=0 wird der Untertemperaturalarm ausgeschlossen.
	AHR	0...12.0° Alarmdifferential für Übertemperatur. Bei AHR=0 wird der Übertemperaturalarm ausgeschlossen
ATD	0...120min Verzögerung der Temperaturalarmmeldung.	
SB	NO/YES Aktivierung der Stand-by-Taste @	
INP	0mA/4mA, T1/T2 ST1/SN4 Wahl des Eingangsfühlers (s. Tabelle der Eingangsspezifikationen) <i>Nur in den Modellen AC1-27A..., AC1-27J..., AC1-27T...</i>	
RLO	-19.9...RHI Min. Messwert (nur in den Modellen AC1-27A..., AC1-27J...) RLO wird der vom Transmitter gemessene Mindestwert zugewiesen (entspricht 0V, 0/4mA)	
RHI	RLO...99.9 Max. Messwert (nur in den Modellen AC1-27A..., AC1-27J...) RHI wird der vom Transmitter gemessene Höchstwert zugewiesen (entspricht 1V, 20mA)	
OS1	-12.5...12.5° Messwertkorrektur des Fühlers T1.	
TLD	1...30min Verzögerung der Mindesttemperatur- (TLO) und Höchsttemperaturspeicherung (THI).	
SIM	0...100 Displayverlangsamung.	
ADR	1...255 Adresse von AC1-27 für Kommunikation mit einem PC.	

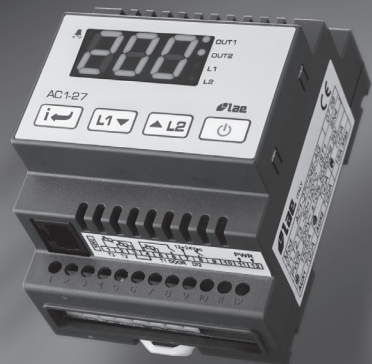
EINGANGSDATEN

MODELL	EINGÄNGE	MESSBEREICH [MESSGENAUIGKEIT]		
		SCL=1°C	SCL=2°C	SCL=°F
AC1-27A...	0 + 1V	RLO + RHI [< ± 3mV]		---
AC1-27I...	INP = 0mA	RLO + RHI [< ± 0.2mA]		
	INP = 4mA	---		
AC1-27J...	INP=T1	TC "J"	-50 + 750°C [< ± 3°C]	-60 + 999°F [< ± 5°F]
	INP=T2	TC "K"	-50 + 999°C [< ± 3°C]	---
AC1-27P...	PT100	-50/-19.9 + 99.9/150°C [< ± 0.3°C]	-100 + 850°C [< ± 1°C (-50+850), ± 2°C]	-150 + 999°F [< ± 2°F (-60+999), ± 4°F]
AC1-27T...	INP=ST1	PTC 1000 Ω (LAE ST1..)	-50/-19.9+99.9/150°C [< ± 0.3°C (-30 + 130°), ± 1°C]	-50 + 150°C [< ± 0.3°C (-30+130°), ± 1°C]
	INP=SN4	NTC 10K Ω (LAE SN4..)	-40/-19.9+99.9/125°C [< ± 0.3°C (-40+100°), ± 1°C]	-40 + 125°C [< ± 0.3°C (-40+100°), ± 1°C]

SCHALTPLÄNE



AC1-27



INSTRUCTIONS FOR USE BEDIENUNGSANLEITUNG



VIA PADOVA, 25
31046 ODERZO /TV /ITALY
TEL. +39 - 0422 815320
FAX +39 - 0422 814073
www.lae-electronic.com
E-mail: sales@lae-electronic.com

TECHNISCHE DATEN

Spannungsversorgung

AC1-27...D 12Vac/dc ±10%, 2W
AC1-27...E 230Vac±10%, 50/60Hz, 2W
AC1-27...U 110Vac±10%, 50/60Hz, 2W

Relaisausgänge (AC1-27..R..)

OUT1 16(4)A
OUT2 16(4)A

SSR-Steuerung (AC1-27..M..)

OUT1 15mA 12Vdc

Eingänge

s. Tabelle der Eingangsspezifikationen

Messbereich

s. Tabelle der Eingangsspezifikationen

Messgenauigkeit

s. Tabelle der Eingangsspezifikationen

Betriebsbedingungen

-10 ... +50°C; 15%...80% r.F.

CE (Bezugsnormen)

EN60730-1; EN60730-2-9;
EN55022 (Klasse B); EN50082-1

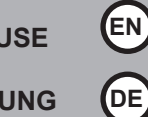
Frontschutzart

IP55

AC1-27

INSTRUCTIONS FOR USE

BEDIENUNGSANLEITUNG



0LAC1002-01